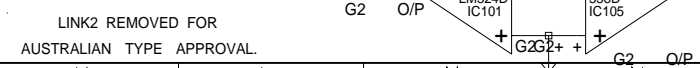


|         |   |                 |                  |                     |                    |                                  |
|---------|---|-----------------|------------------|---------------------|--------------------|----------------------------------|
| 3A      | ADD MODULE/CHANGED CTRL CIRCUIT<br>MODIFIED FOR P2<br>COPIED FROM T859 CCT. | W.F.D<br>J.FONE | MAX T.<br>J.FONE | D. ELDER<br>D.ELDER | FESTING<br>FESTING | 27/08/97<br>31/11/94<br>08/08/94 |
| REV/ISS | AMENDMENTS  | DRAWN           | CHKD             | D.O.                | APVD               | DATE                             |

|          |        |            |
|----------|--------|------------|
| USER     | 2KVAR8 | -          |
| NON_USER | -      | 2KVAR3299Y |



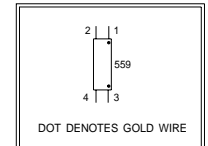
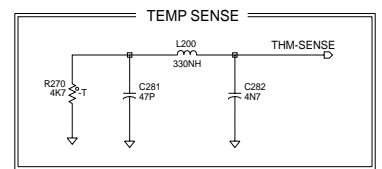
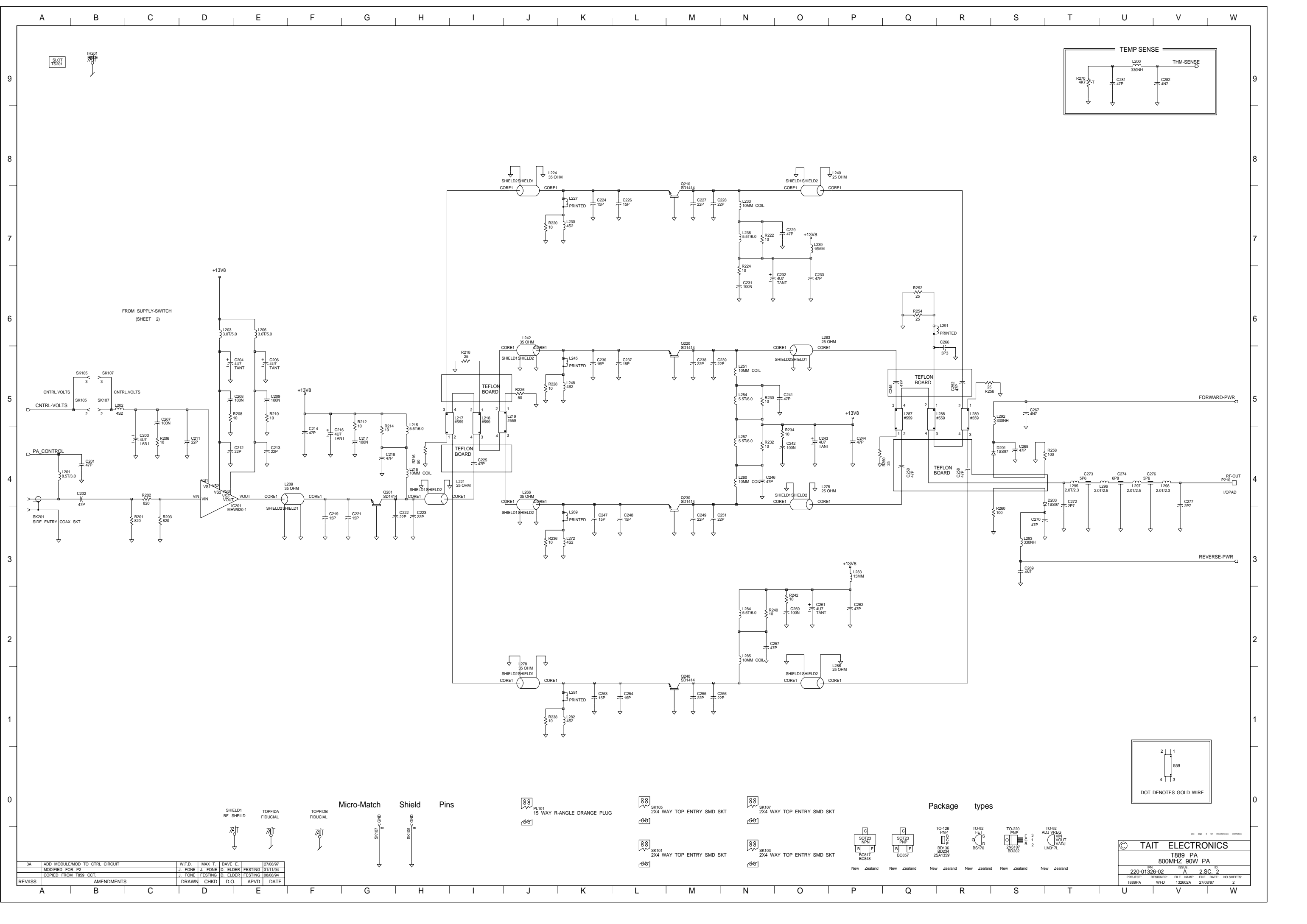
**TAIT ELECTRONICS**

**T889 PA  
800MHZ 90W PA**

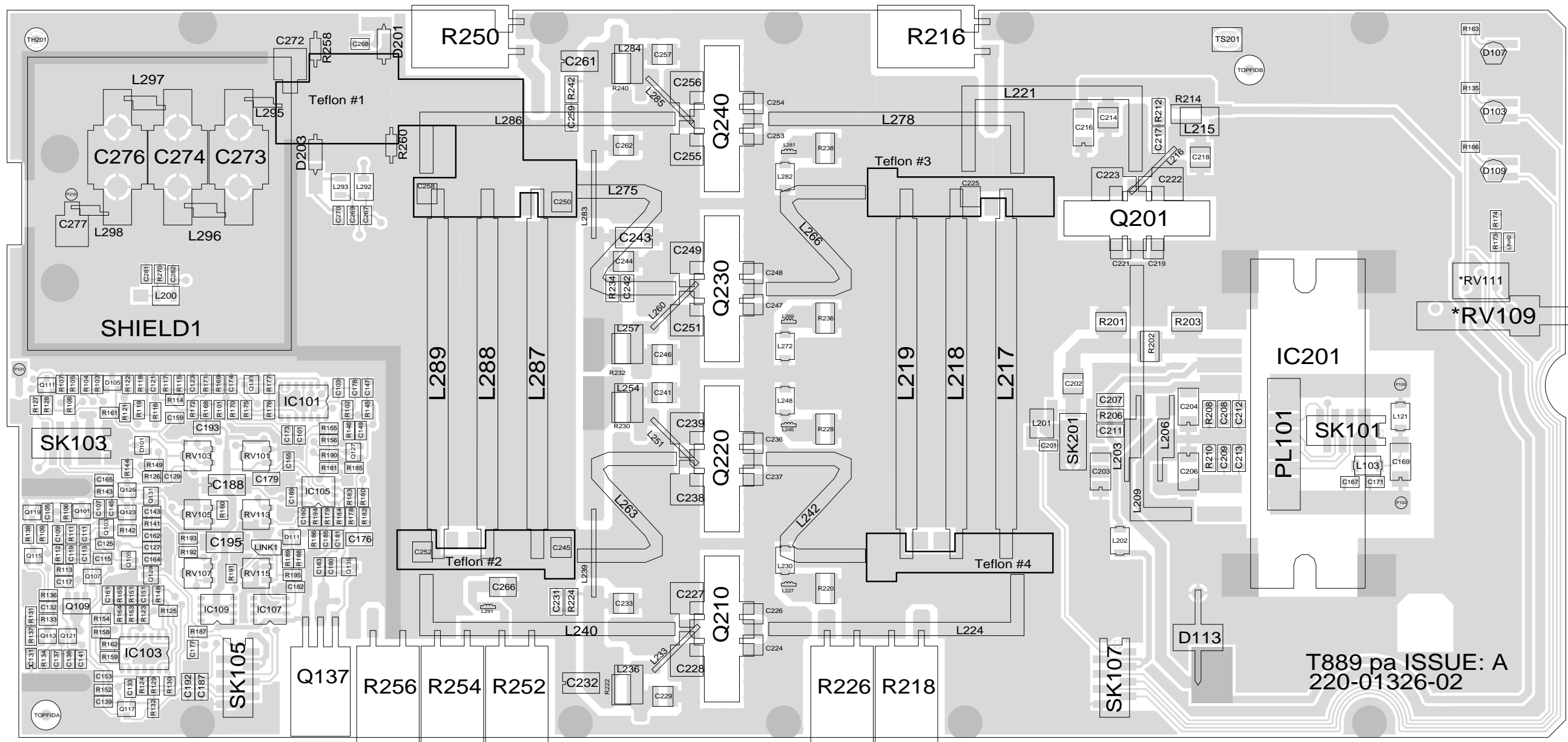
IPN: 220-01326-02    ISSUE: A    ID: 2.S.C. 1

PROJECT: T889PA    DESIGNER: WFD    FILE NAME: 132602A    FILE DATE: 27/08/97    NO.SHEETS: 2

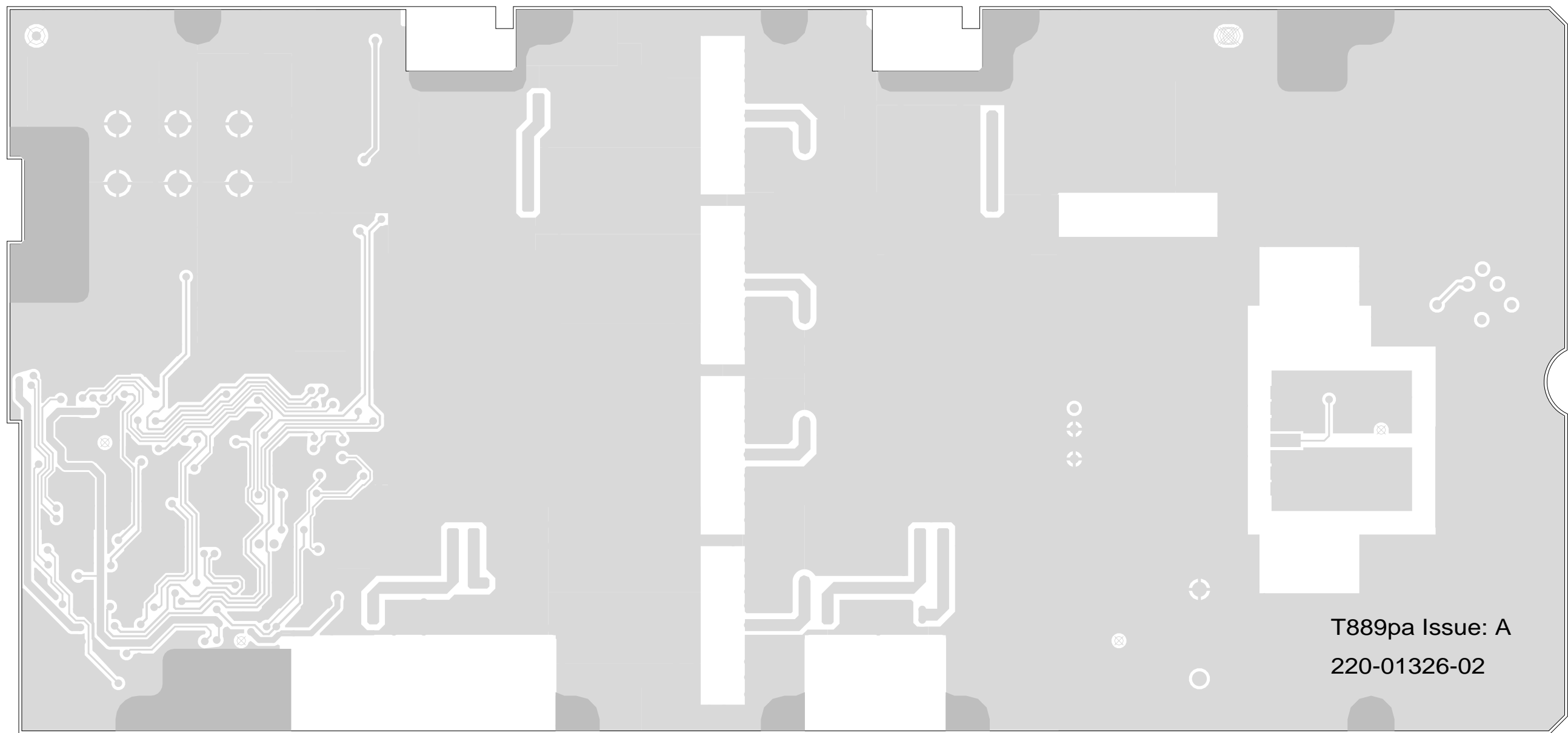
LINK2 REMOVED FOR AUSTRALIAN TYPE APPROVAL.



|   |  |   |  |   |  |   |  |  |  |   |  |
|---|--|---|--|---|--|---|--|--|--|---|--|
| <p>SHIELD1 RF SHIELD</p> <p>TOPFIDA FIDUCIAL</p> <p>TOPFIDB FIDUCIAL</p> <p>Micro-Match</p> <p>Shield</p> <p>Pins</p> |  | <p>PL101 15 WAY R-ANGLE DRANGE PLUG</p>   |  | <p>SK105 2X4 WAY TOP ENTRY SMD SKT</p> <p>SK101 2X4 WAY TOP ENTRY SMD SKT</p> |  | <p>SK107 2X4 WAY TOP ENTRY SMD SKT</p> <p>SK103 2X4 WAY TOP ENTRY SMD SKT</p> |  | <p>Package types</p> <p>TO-18 PNP</p> <p>TO-92 PNP</p> <p>TO-220 PNP</p> <p>TO-92 ADJ VREG</p>   |  | <p>DOT DENOTES GOLD WIRE</p>                        |  |
| <p>3A ADD MODULEMOD TO CTRL CIRCUIT</p> <p>MODIFIED FOR P2</p> <p>COPIED FROM T889 CCT.</p>                           |  | <p>W.F.D. MAX T. DAVE E. 27/08/97</p> <p>J. FONE J. FONE D. ELDER FESTING 31/11/94</p> <p>J. FONE FESTING D. ELDER FESTING 08/08/94</p> |  | <p>APVD</p>   |  | <p>DATE</p>   |  | <p>PROJECT: T889PA</p> <p>DESIGNER: WFD</p> <p>FILE NAME: 132602A</p> <p>FILE DATE: 27/08/97</p> |  | <p>ISSUE: A</p> <p>2.S.C. 2</p> <p>NO.SHEETS: 2</p> |  |



T889 pa ISSUE: A  
220-01326-02



T889pa Issue: A  
220-01326-02